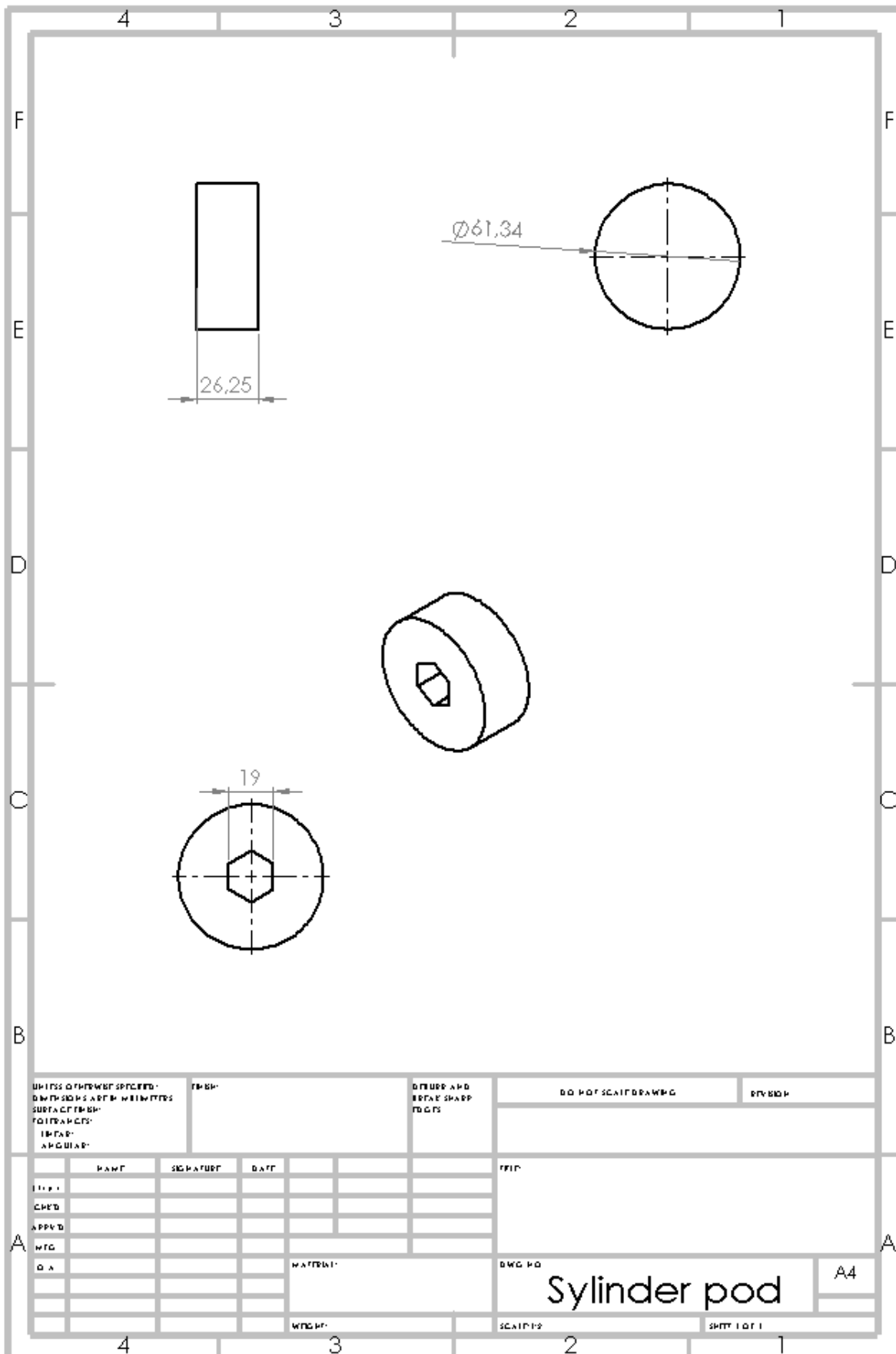
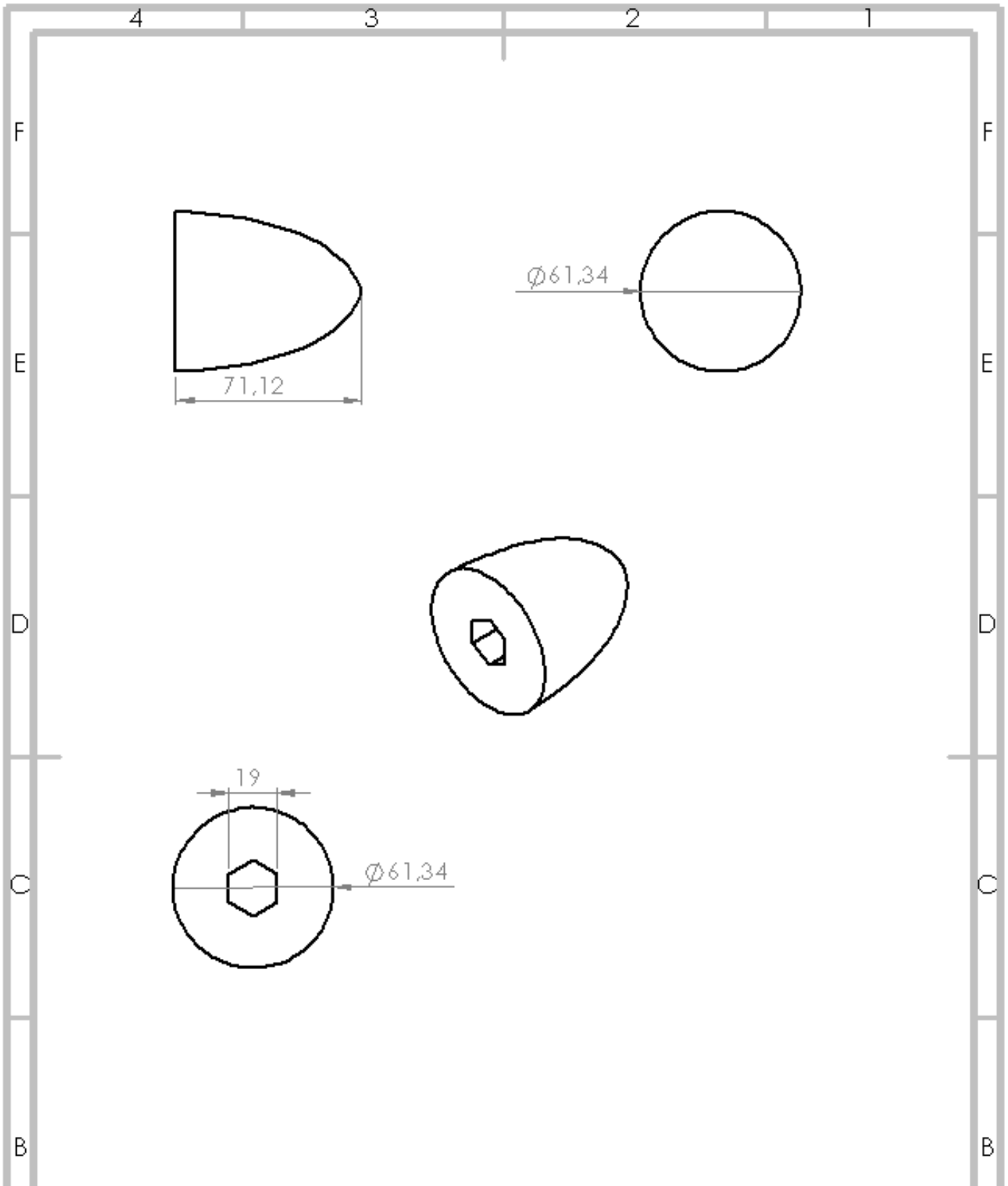


Vedlegg F: Modelltegninger

Modell 0: Prototype til materialtest



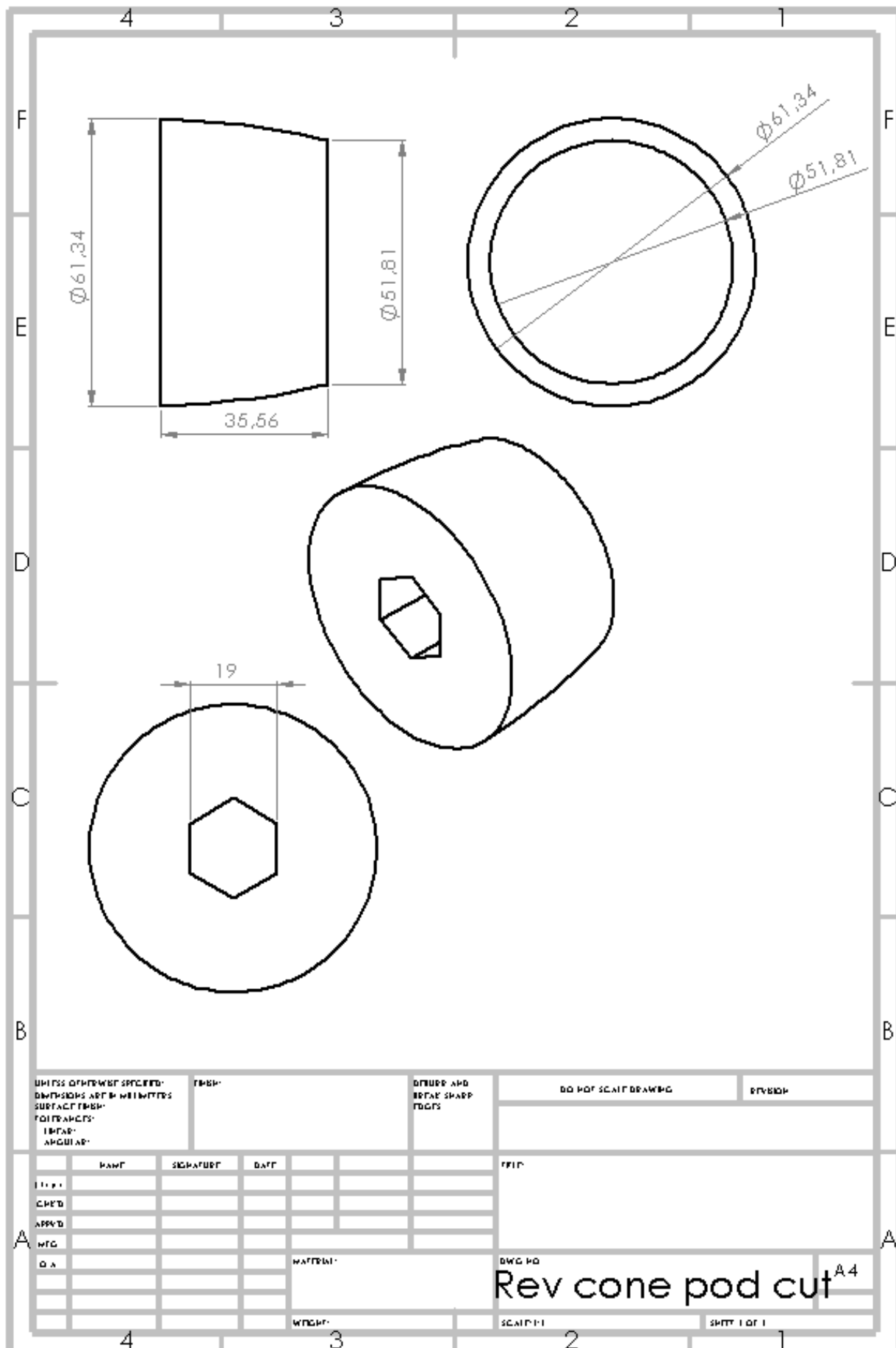
Modell 1: Konus



UNLESS OTHERWISE SPECIFIED: DIMENSIONS ARE IN MILLIMETERS SURFACE FINISH: TOLERANCES: LINEAR: ANGULAR:	FINISH:	DEBURR AND BREAK SHARP EDGES	DO NOT SCALE DRAWING	REVISED

	NAME	SIGNATURE	DATE		TITLE:
DRAWN					
CHECKED					
APPROVED					
MTC					

Modell 2: Konus-cut



UNLESS OTHERWISE SPECIFIED:
DIMENSIONS ARE IN MILLIMETERS
SURFACE FINISH:
FRACTIONS:
TOLERANCES:
LINEAR
ANGULAR

FINISH

DRIBB AND
BREAK SHARP
EDGES

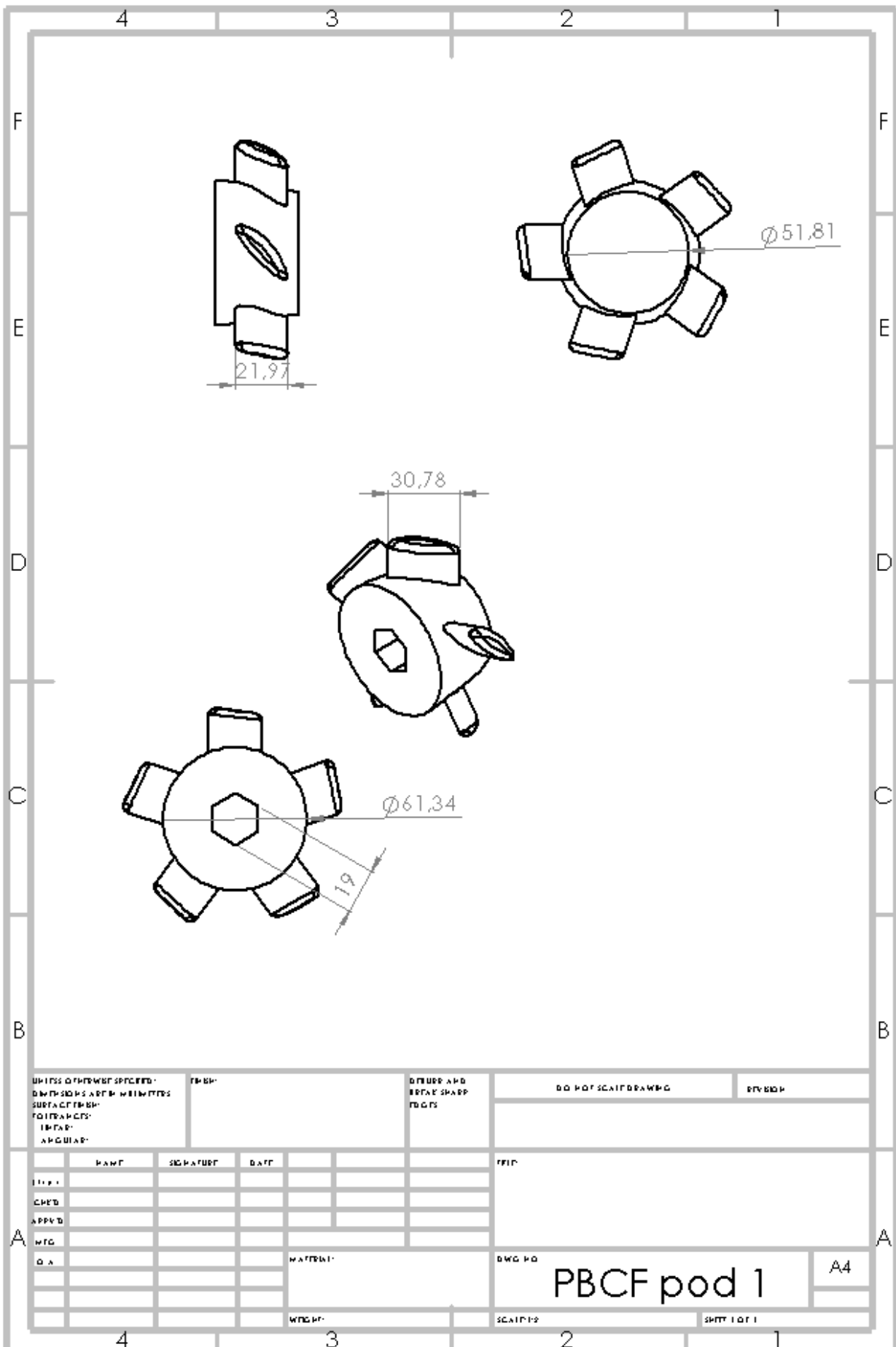
DO NOT SCALE DRAWING

DTV:BDH

REV	DATE	BY	CHK'D	APP'D	WFO	QA	MATERIAL	WGT

DATE: _____
 DWG NO: **Rev cone pod cut** ^{A4}
 SCALE: 1:1
 SHEET 1 OF 1

Modell 3: PBCF



UNITS: DIMENSIONS SPECIFIED
DIMENSIONS ARE IN MILLIMETERS
SURFACE FINISH:
FINISH:
ANGULAR:

FINISH:

EDGES AND
BOTH SHARP
EDGES

DO NOT SCALE DRAWING

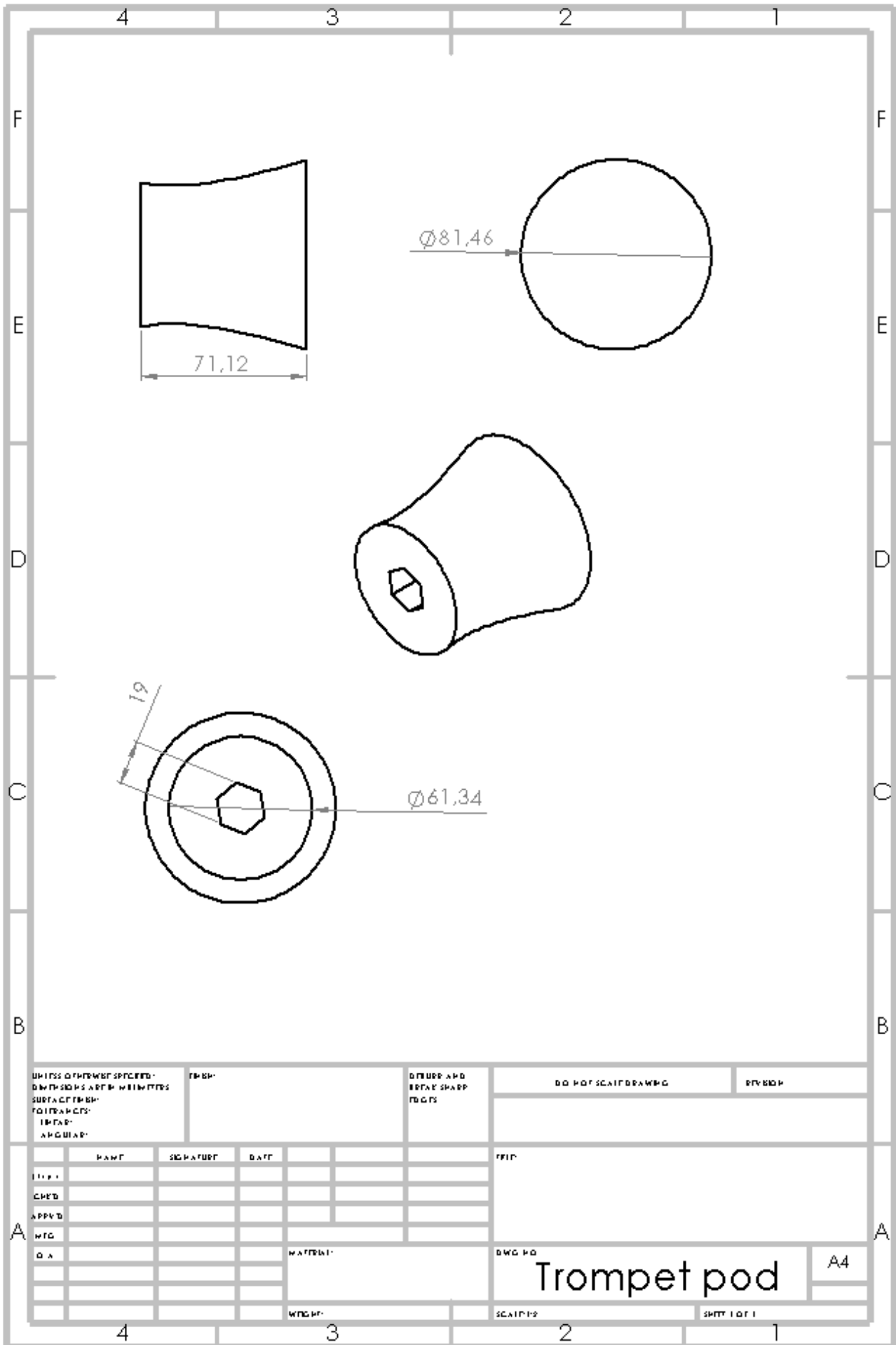
BY: BSH

NO.	NAME	SIGNATURE	DATE	REVISION

DWG NO
PBCF pod 1

A4

Modell 4: Trompet



UNLESS OTHERWISE SPECIFIED:
DIMENSIONS ARE IN MILLIMETERS
SURFACES UNLESS OTHERWISE
SPECIFIED:
FINISH:
ANGULAR:

FINISH:

EDGES AND
CORNERS UNLESS
OTHERWISE SPECIFIED:

DO NOT SCALE DRAWING

DTV B04

NO.	NAME	SIGNATURE	DATE	DESCRIPTION
1	DESIGNER			
2	CHECKED			
3	APPROVED			
4	MFG			
5	D.A.			

DATE: _____
 DWG NO: _____
 SCALE: _____
 SHEET 1 OF 1

Trompet pod

A4

Modell 5: Trompet med kanaler

